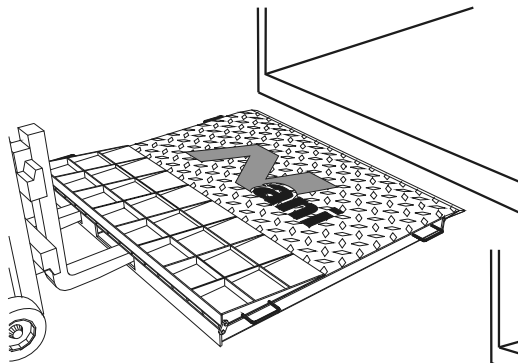
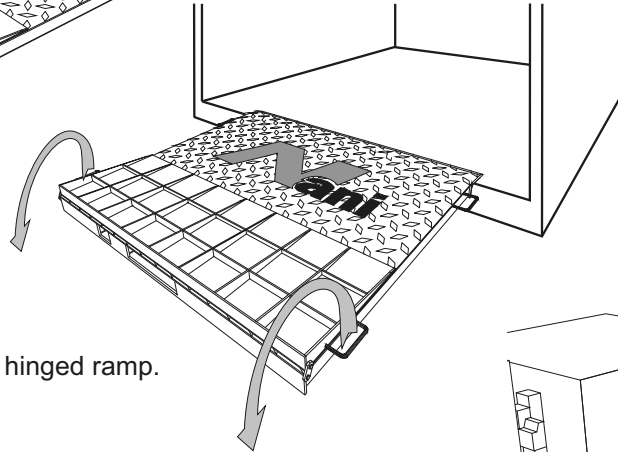


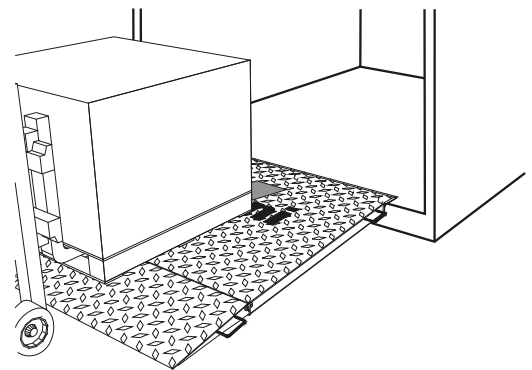
NANI-Container Loading Plate Model TR-St



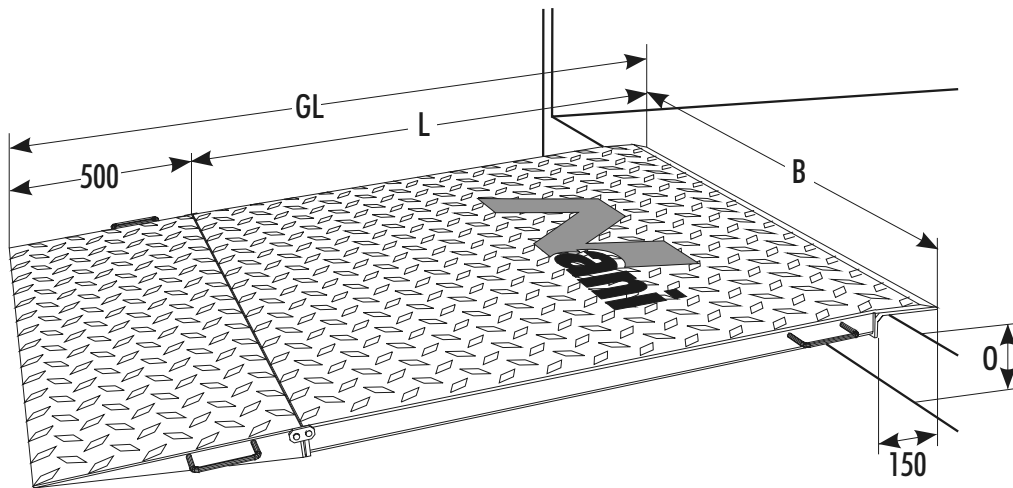
1. The container loading plate is portable and has fork truck access slots to allow easy movement. Place the lip on the floor of the container and remove fork truck. Secure plate to vehicle with chain hooks.



2. Manually lift over the hinged ramp.



3. The TR-St is ready to use.



GL - Total length with ramp open

L - Platform length

B - Width

O - maximum height of use above floor level.

Load capacity for all sizes 40 kN or 60 kN.

Please ask for assistance on capacity and size to suit your application.

Changes to specification maybe made without prior notification.

| Sizes | GL | L | B | O |
|-------|------|------|------|-----|
| 1 | 1935 | 1435 | 1500 | 240 |
| 2 | 1935 | 1435 | 1750 | 240 |
| 3 | 1935 | 1435 | 2000 | 240 |

TR1-9503-E

Nani
VERLADETECHNIK

...for optimal loading

<http://www.nani.de> E-mail: info@nani.de

Nani Verladetechnik GmbH & Co. KG
Siegelslebener Str. 12, D-39365 Eilsleben
Tel: (039 409) 914 0, Fax: (039 409) 345