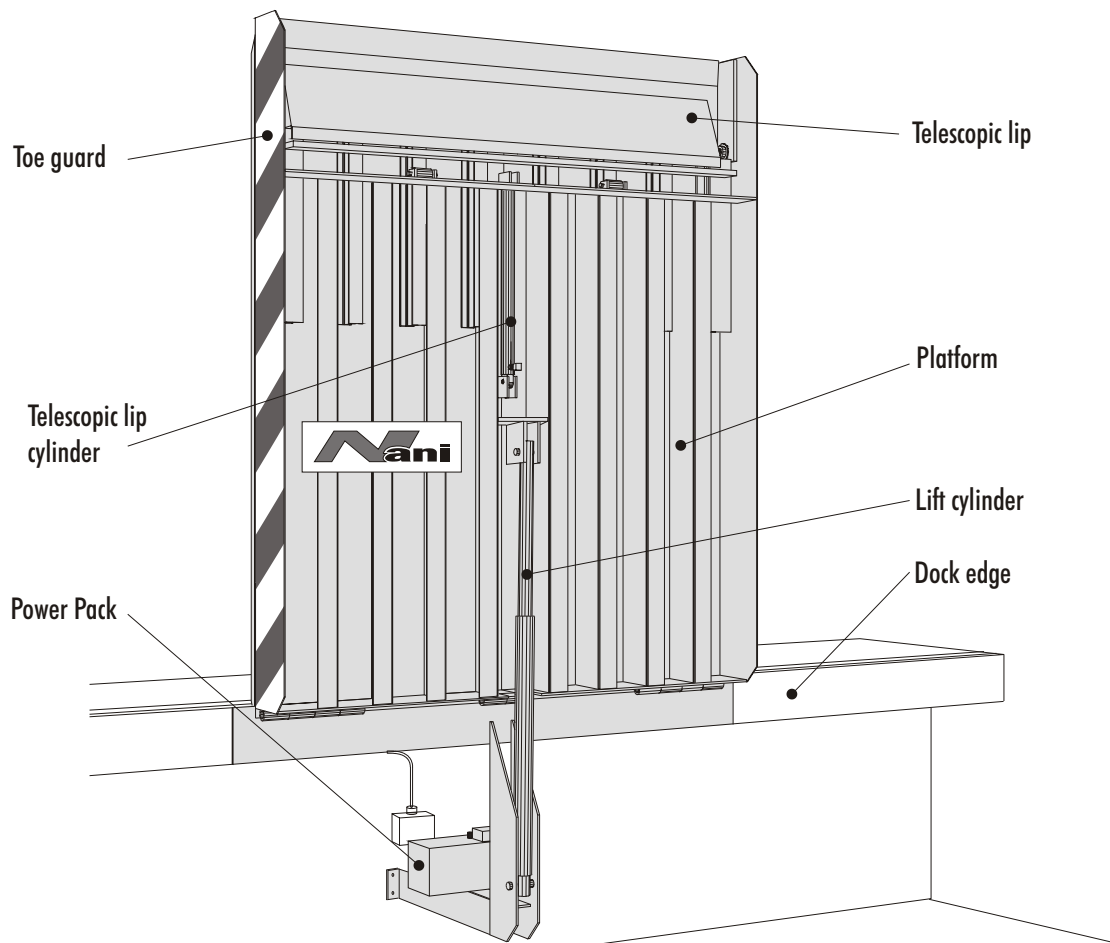
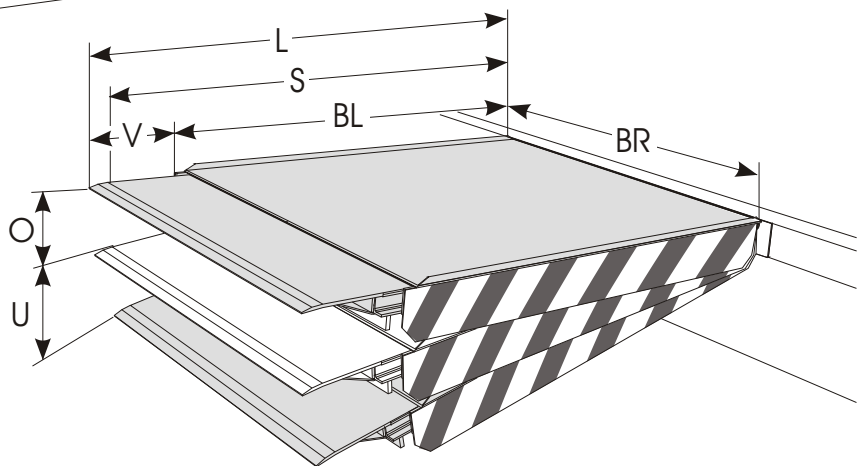


NANI-Loading Plate Model SOHV



Hydraulically operated loading bridge with fixed position and telescopic lip 500 mm long.

- V - Lip length 500
- BR - Width
- BL - Length
- L - Total length
- S - Total usable length
- O - Above dock
- U - Below dock



Load capacity for all sizes 40 kN or 60 kN.
Width (BR) for all sizes 1500, 1750, 2000 mm.

Please ask for assistance on capacity and size to suit your application.

Changes to specification maybe made without prior notification.

| Sizes | BL | L | S | O | U |
|-------|------|------|------|-----|-----|
| 1 | 2000 | 2500 | 2400 | 300 | 300 |
| 2 | 2500 | 3000 | 2900 | 360 | 360 |
| 3 | 3000 | 3500 | 3400 | 425 | 425 |

SV4-9503-1-E

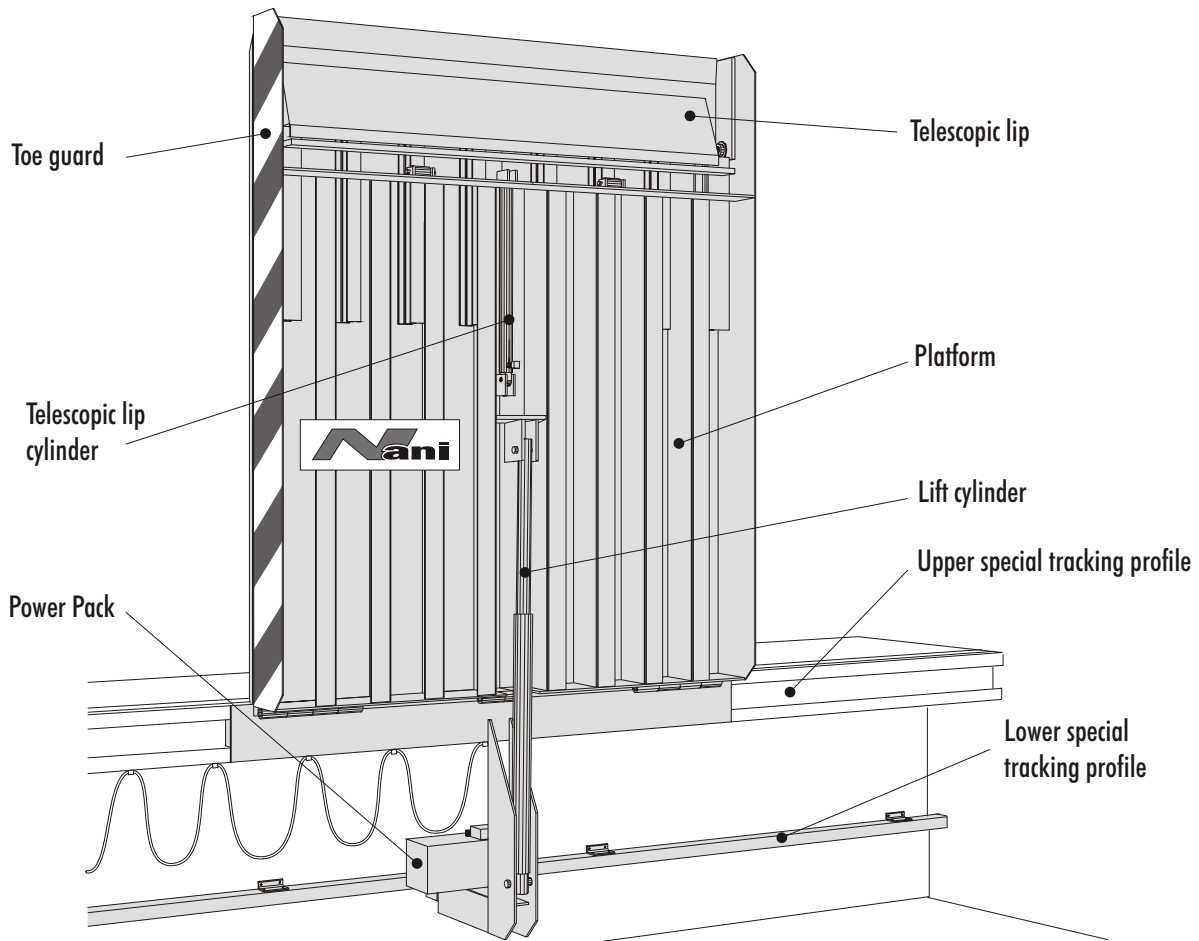


...for optimal loading

<http://www.nani.de> E-mail: info@nani.de

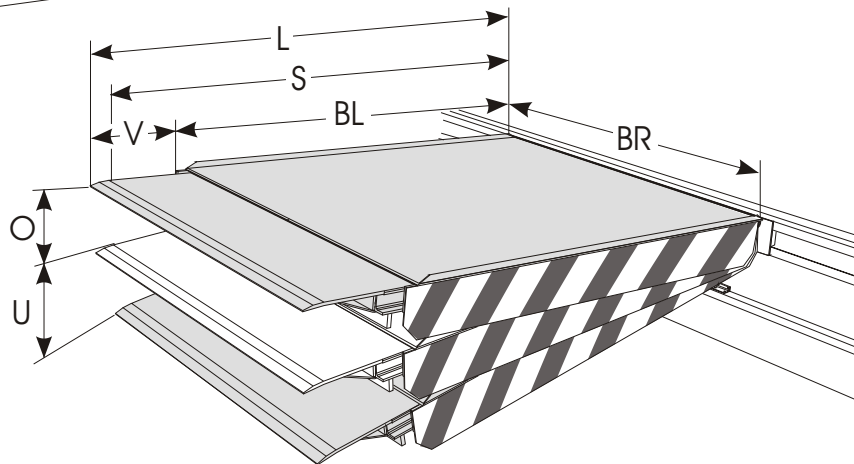
Nani Verladetechnik GmbH & Co. KG
Siegelslebener Str. 12, D-39365 Eilsleben
Tel: (039 409) 914 0, Fax: (039 409) 345

NANI-Loading Plate Model SVHV



Hydraulically operated loading bridge with 500 mm telescopic lip. The model SVHV is mounted into a horizontal sliding track to give lateral travel across the loading dock edge.

- V - Lip length 500
- BR - Width
- BL - Length
- L - Total length
- S - Total usable length
- O - Above dock
- U - Below dock



Load capacity for all sizes 40 kN or 60 kN.
Width (BR) for all sizes 1500, 1750, 2000 mm.

Please ask for assistance on capacity and size to suit your application.

Changes to specification maybe made without prior notification.

| Sizes | BL | L | S | O | U |
|-------|------|------|------|-----|-----|
| 1 | 2000 | 2500 | 2400 | 300 | 300 |
| 2 | 2500 | 3000 | 2900 | 360 | 360 |
| 3 | 3000 | 3500 | 3400 | 425 | 425 |

SV3-2503-1-E



...for optimal loading

<http://www.nani.de> E-mail: info@nani.de

Nani Verladetechnik GmbH & Co. KG
Siegertslebener Str. 12, D-39365 Eilsleben
Tel: (039 409)914 0, Fax: (039 409)345