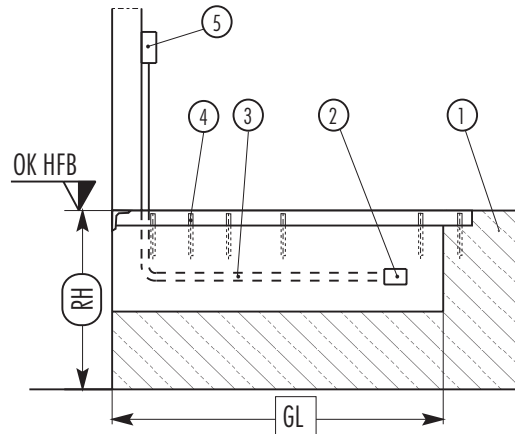
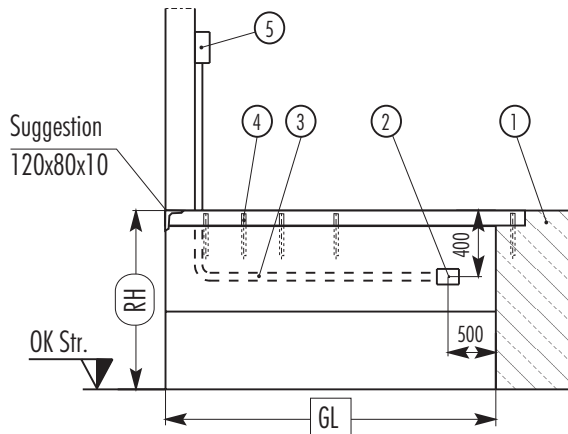
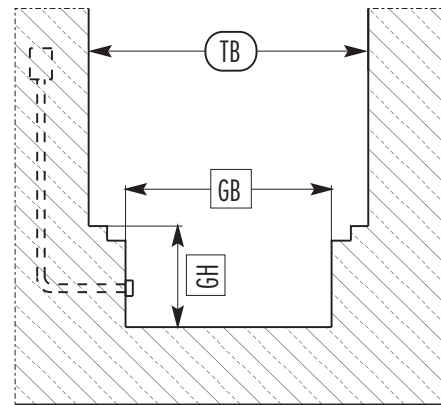
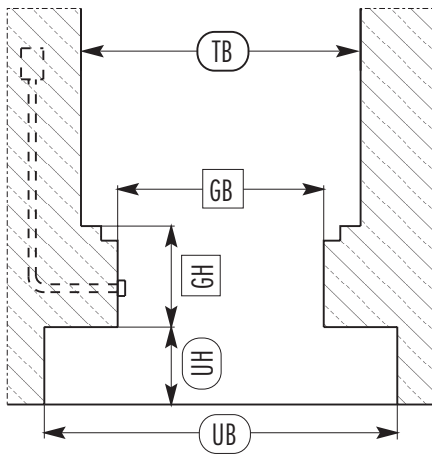
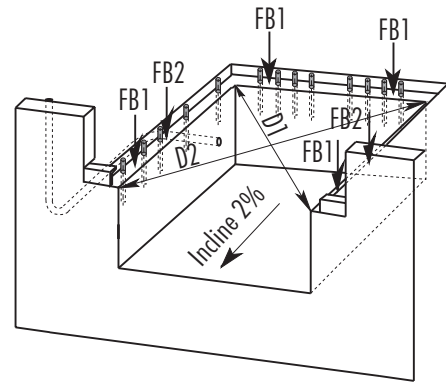
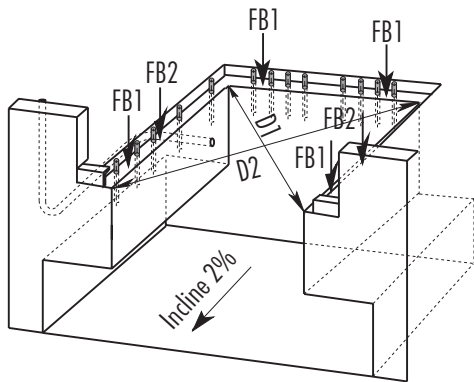


Nani - Dockleveller. Compact construction method.

Attention! The measurements \square have to be kept exactly. The measurements \circ suggestions.
It has to be attended to the orthogonality of the pit. Diagonal D1 = Diagonal D2

Changes to specification maybe made without prior notification.



Included in delivery: ① Installation point ② Terminal box with 12 clamps
provided by customer: ③ Ductwork $\varnothing 50$ with conduction $12 \times 1,5^2$ ④ Concrete steel $\varnothing 20 \times 200$, weldable

Scope of supply Docklevellers: ⑤ Operating unit

Important! For the measurements GB, GL, GH deemed to be the tolerance $+20_0$ dimensions of the installation point (all measurements in mm)

Leveller size	GB	GL	GH	RH	TB	UH	UB
1	2060	2000	810	1250	2700	400	3000
2	2060	2500	810	1250	2700	400	3000
3	2060	3000	810	1250	2700	400	3000
4	2060	4000	910	1250	2700	350	3000

Strain for the hall floor
in rest position (FB1)
in case of emergency-stop (FB2)

Capacity	FB1(KN)	FB2(KN)
40 KN	38	34
60 KN	58	52

GR3-9311



...for optimal loading

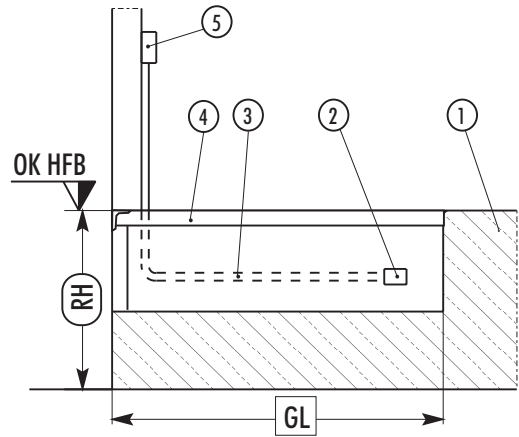
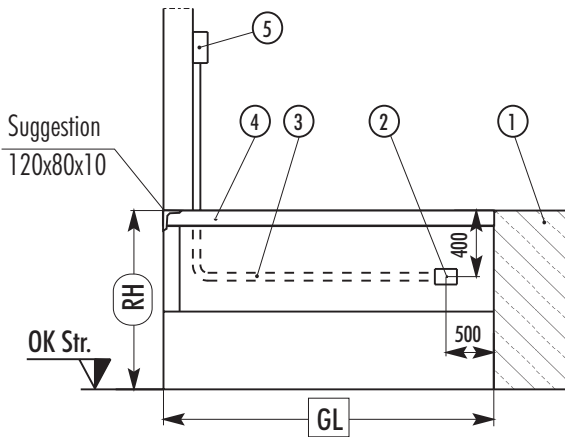
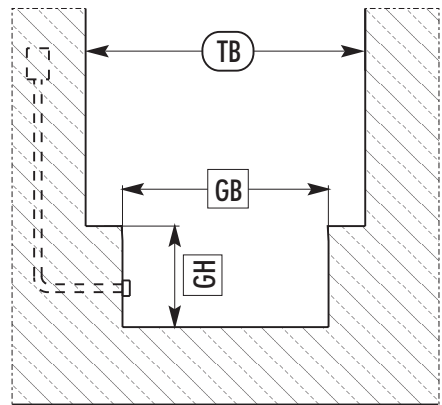
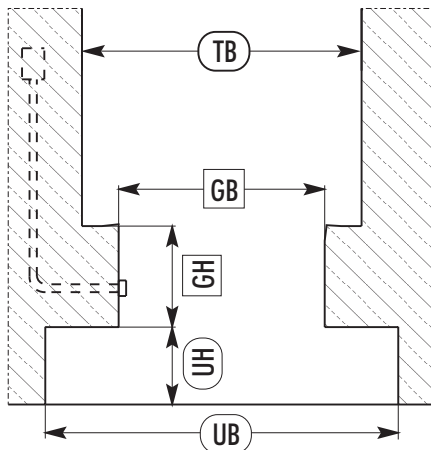
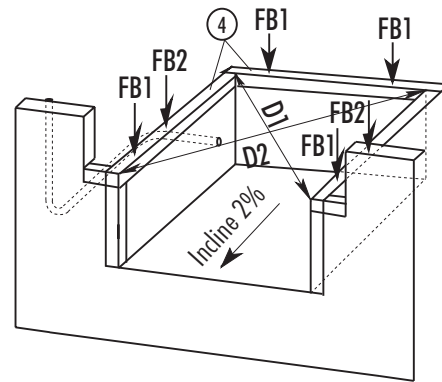
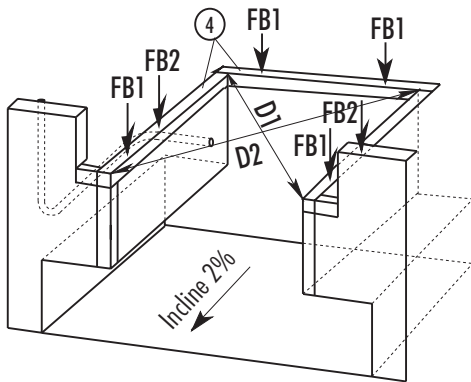
<http://www.nani.de> E-mail: info@nani.de

Nani Verladetechnik GmbH & Co. KG
Siegelslebener Str. 12, D-39365 Eilsleben
Tel: (039 409) 914 0, Fax: (039 409) 345

Nani - Dockleveller. Pre-frame construction method.

Attention! The measurements \square have to be kept exactly. The measurements \circ suggestions.
It has to be attended to the orthogonality of the pit. Diagonal D1 = Diagonal D2

Changes to specification maybe made without prior notification.



Included in delivery: ① Installation point ② Terminal box with 12 clamps
provided by customer: ③ Ductwork $\phi 50$ with conduction $12 \times 1,5^2$ ④ Concrete steel $\phi 20 \times 200$, weldable

Scope of supply Docklevellers: ⑤ Operating unit

Important! For the measurements GB, GL, GH deemed to be the tolerance $+20_0$ dimensions of the installation point (all measurements in mm)

Leveller size	GB	GL	GH	RH	TB	UH	UB
1	2040	2000	810	1250	2700	400	3000
2	2040	2500	810	1250	2700	400	3000
3	2040	3000	810	1250	2700	400	3000
4	2040	4000	910	1250	2700	350	3000

Strain for the hall floor
in rest position (FB1)
in case of emergency-stop (FB2)

Capacity	FB1 (KN)	FB2 (KN)
40 KN	38	34
60 KN	58	52

CR7-2405-E



...for optimal loading

<http://www.nani.de> E-mail: info@nani.de

Nani Verladetechnik GmbH & Co. KG
Siegelslebener Str. 12, D-39365 Eilsleben
Tel: (039 409) 914 0, Fax: (039 409) 345